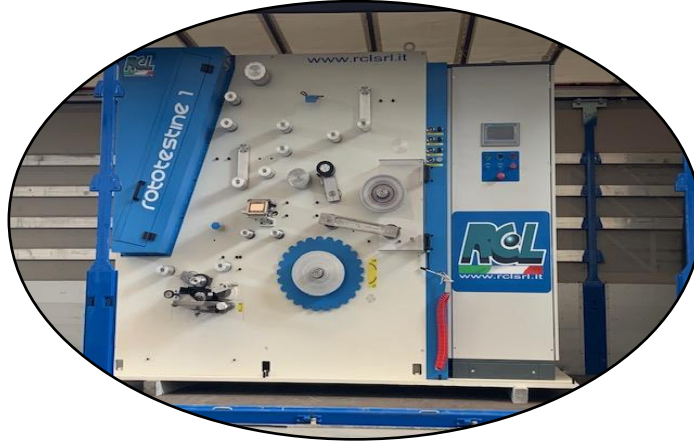




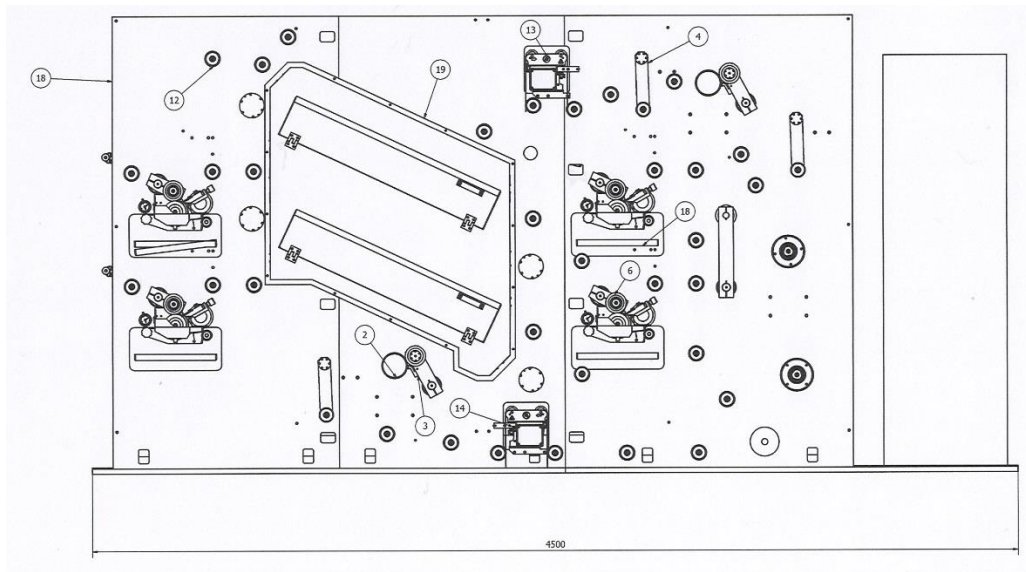
# ROTO TESTINE 100

## One color



### MAIN CHARACTERISTICS:

- Web passage width: 100 mm
- Circumference: max 620 - min 300 mm
- Max working speed with 100% coverage: 100 mt/min
- Reel diameter: max 400 mm
- Air heating: Electric
- Front print cylinder loading
- Check of the in-feeding and out-driving power
- Possibility of extraction of front ink pan without removing the printing cylinder
- Machine delivered with entry and exit web guides
- Customization on request
  - Double-axis rewinders with clutched shafts and in-line cutting (min. 25 mm)



R.C.L. S.r.l. – Str. Prov. Casale Altavilla, 30 15030 Terruggia AL (Italy)

Mobile 00393483828048 ✉ [giorcelli.b@rclsrl.it](mailto:giorcelli.b@rclsrl.it) ✎ [www.rclsrl.it](http://www.rclsrl.it)